

## 780-1550nm High power polarization-preserving filter coupler(20W)

### Features

- Low insertion loss
- High return loss
- High extinction ratio

### Application

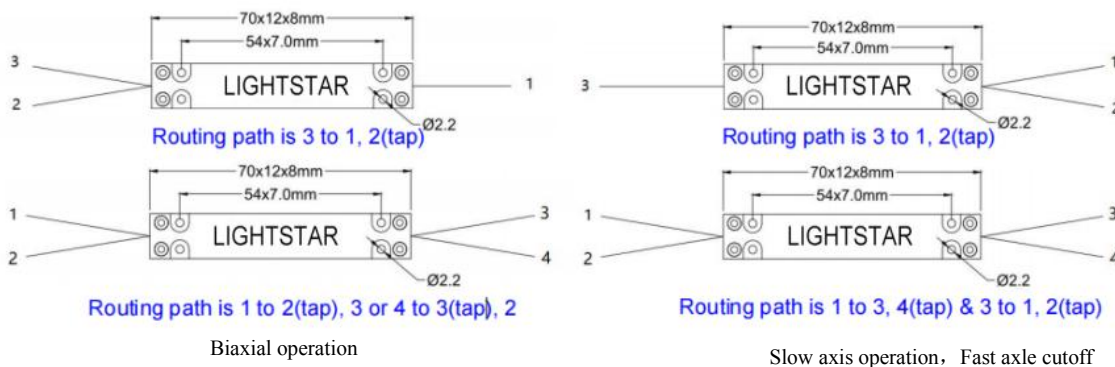
- Erbium doped fiber amplifiers&Optical fiber amplifier
- Optical fiber sensing&Optical fiber communications
- Fiber optic instrument

### Specifications

Parameter	Unit	Value					
Type		1x2			2x2		
Central wavelength	nm	1550,1310	1064, 980	850,780	1550,1310	1064,980	850,780
Operating wavelength range	nm	±40	±20	±10	±40	±20	±10
Maximum additional loss	dB	0.7	0.8	0.8	1.0	1.2	1.2
Uniformity (only to 50/50)	dB	0.4	0.5	0.6	0.6	0.8	0.8
Splitting ratio	dB	01/99~50/50					
Minimum extinction ratio	Biaxial operation	dB					
	Fast axle cutoff	dB					
Minimum return loss	dB	50					
Maximum optical power	W	1, 2, 5, 10, 20 or Specified					
Maximum tensile load	N	5					
Package dimensions	Input power ≤5W	mm					
	Input power ≤20W	mm					
Operating temperature	℃	-5~+70					
Storage temperature	℃	-40~+85					

When using the Connector, the processing power is only 1W, the Insertion loss is 0.3dB higher, the return loss is 5dB lower, and the extinction ratio is 2dB lower. The Connector key is aligned with the slow axis.

### Package dimensions



### Ordering information

HPMFC-①①①①-②-③③-④-⑤⑤⑤⑤-⑥-⑦-⑧-⑨-⑩⑩

- |  |  |   |  |  |
|--|--|---|--|--|
| ①①①①<br>Wavelength<br>1064=1064nm<br>1550=1550nm<br>SSSS=Specify   | ②:Port type<br>1=1x2<br>2=2x2              | ③③:Tap<br>Splitting ratio<br>05=5%<br>50=50%<br>SS=Specify              | ④:Working axis<br>B=Both axis working<br>F=Fast axis blocked | ⑤⑤⑤⑤:Port 1, 2<br>Fiber type<br>001=PM1550<br>003=PM980<br>SSS=Specify |
| ⑥:Package dimensions<br>0= φ5.5x35mm<br>1= φ70x12x8mm<br>S=Specify | ⑦:Length<br>H=0.5m<br>1= 1.0m<br>S=Specify | ⑧:Pigtail type<br>1=250um bare fiber<br>2=900um loose tube<br>S=Specify | ⑨:Connector<br>0=None<br>1=FC/UPC<br>2=FC/APC<br>S=Specify   | ⑩⑩:Power<br>0 1=1 W<br>05=5 W<br>20=20 W<br>SS=Specify                 |